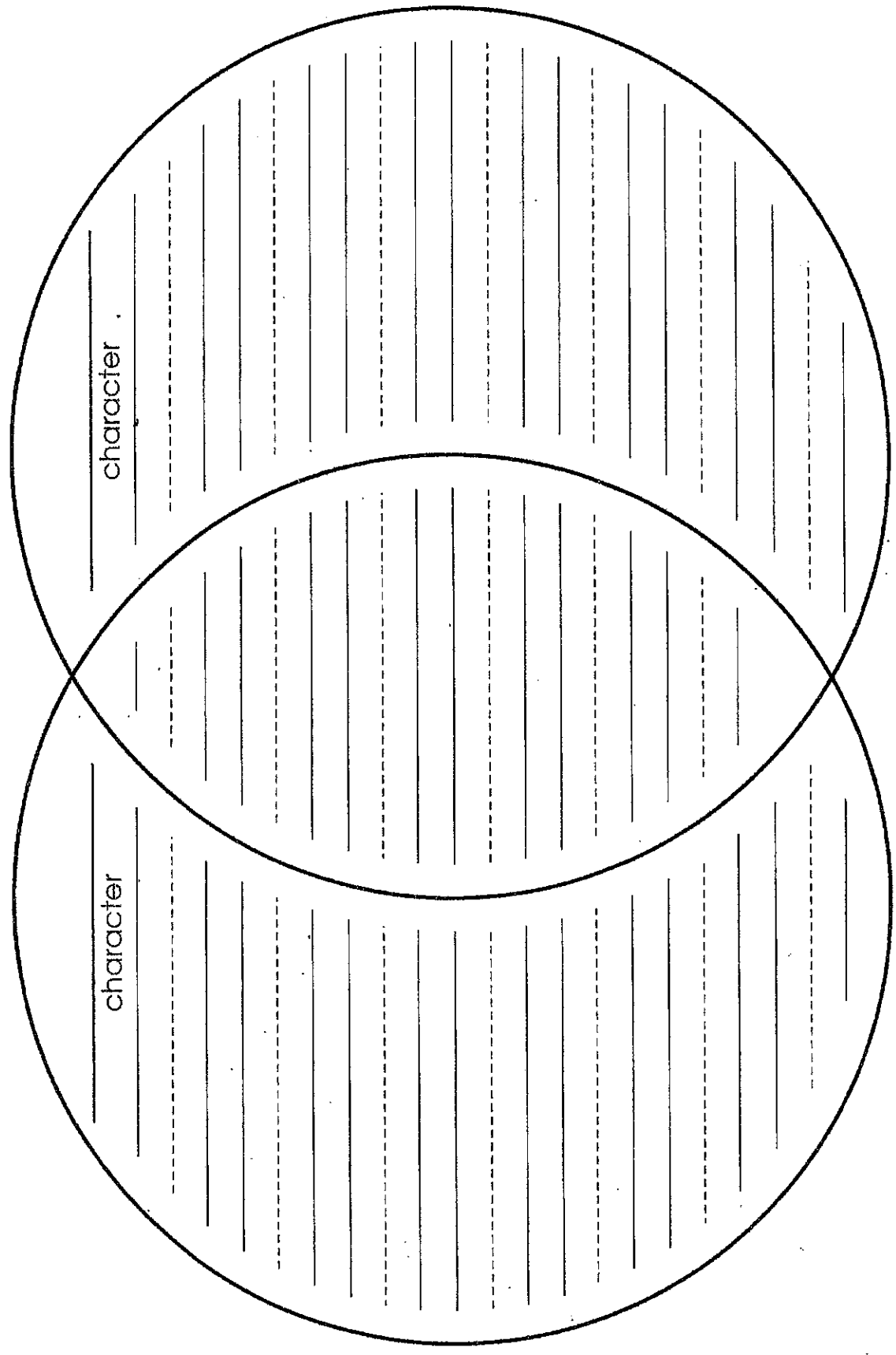


Name: _____ Date: _____

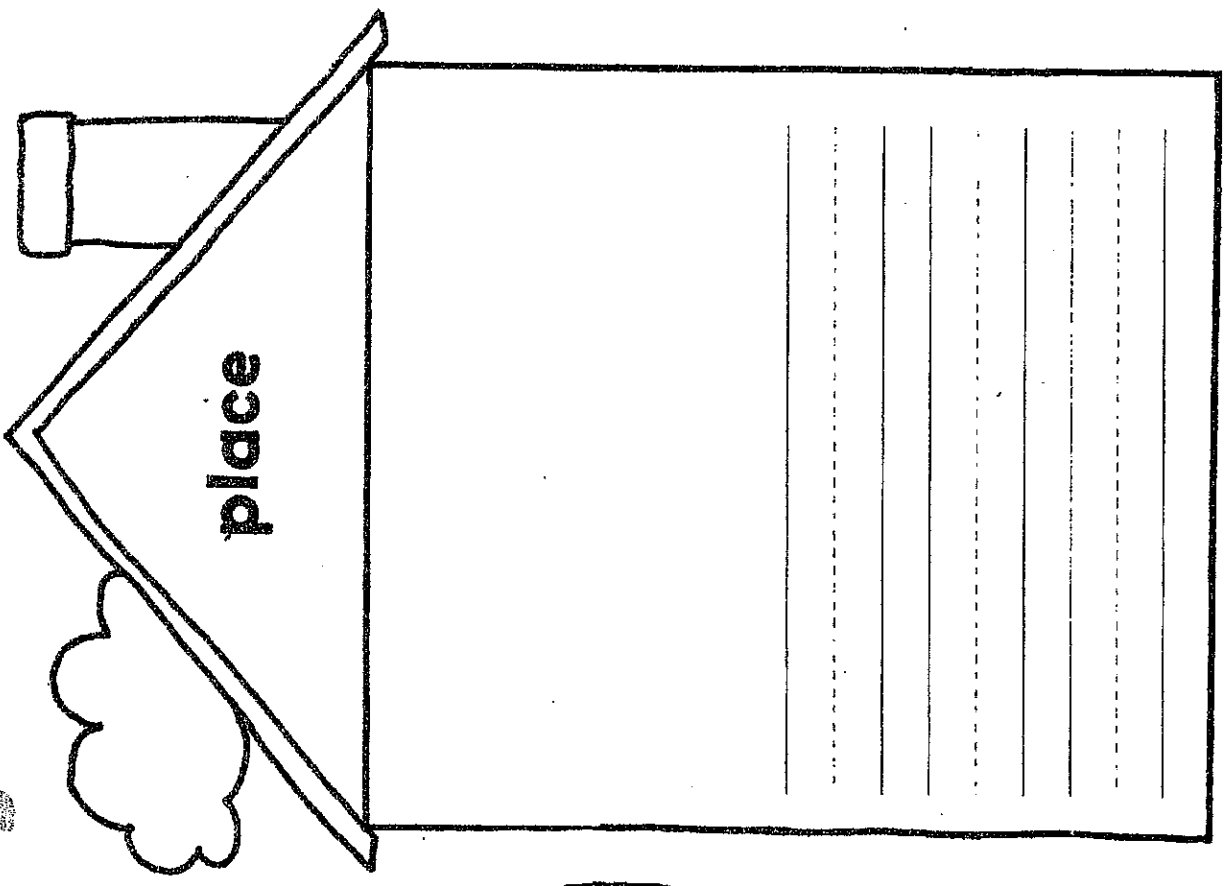
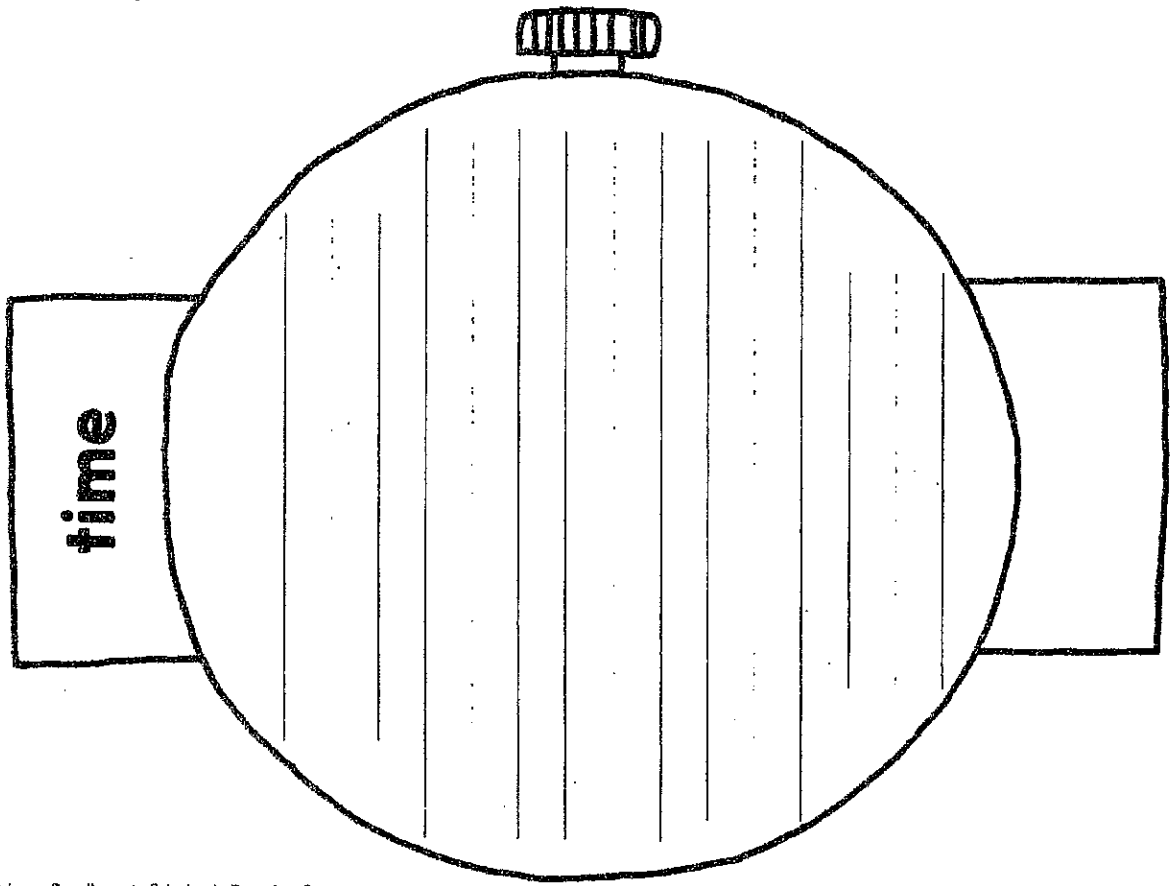
Same & Different

Title: _____



Name: _____ Title: _____ Date: _____

Setting

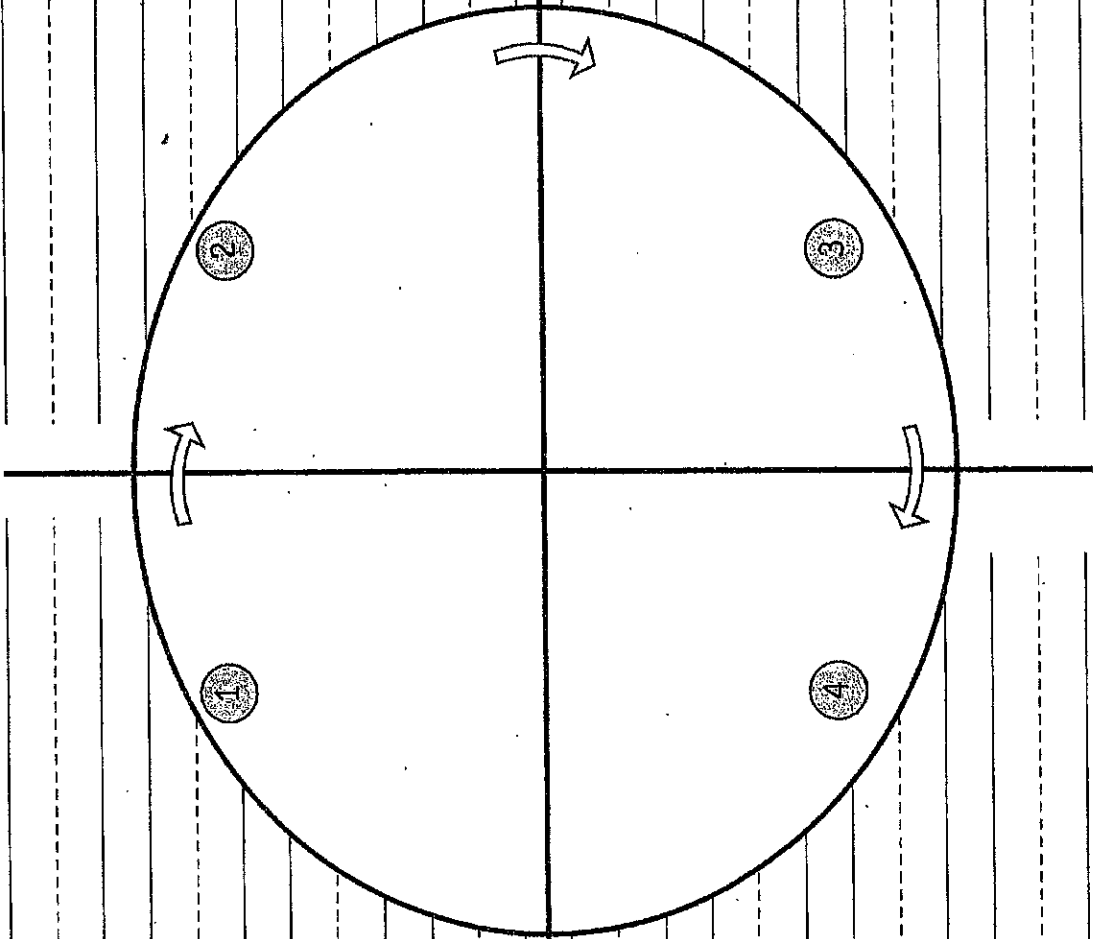


Name: _____

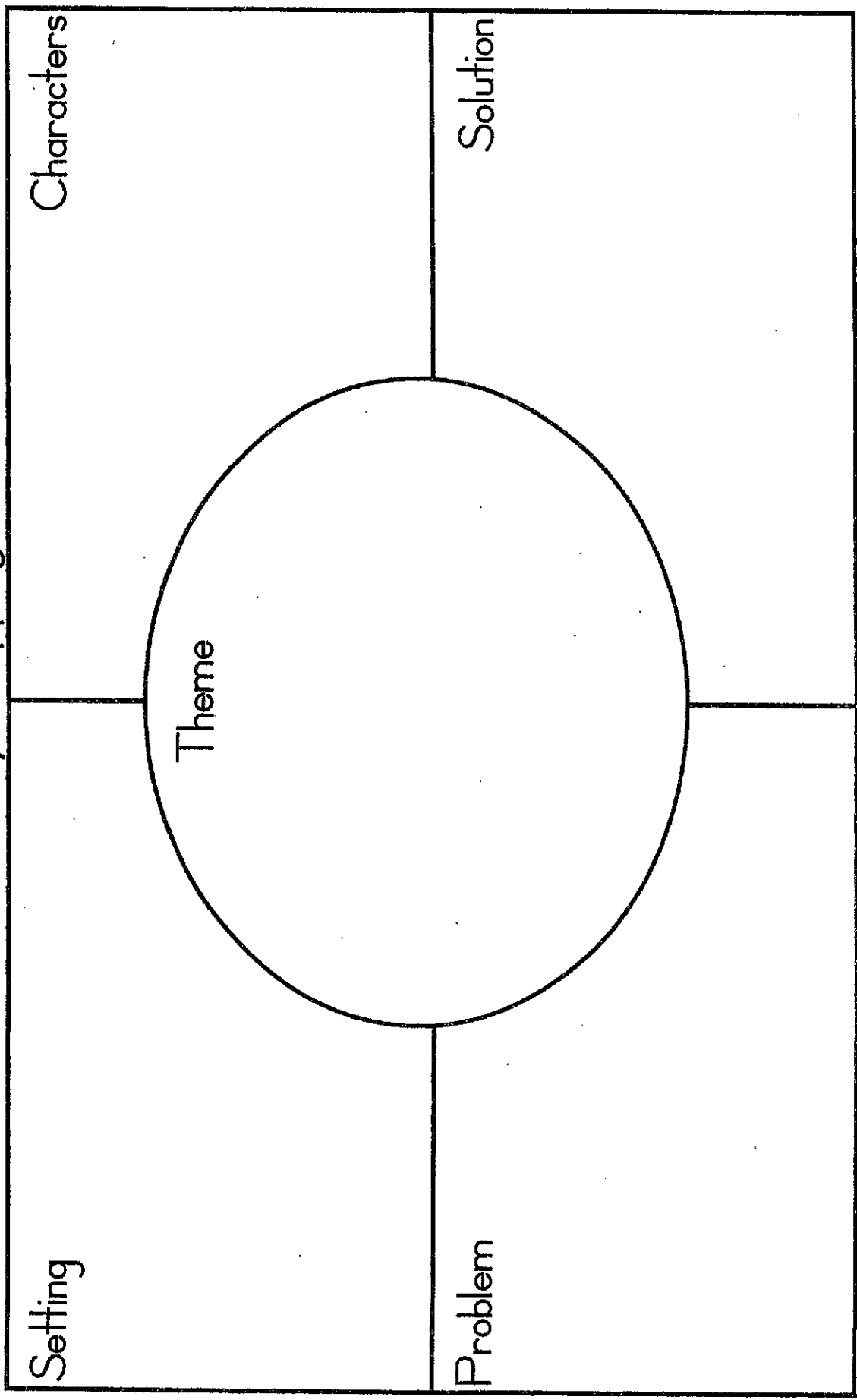
Date: _____

Sequence Circle

Title: _____



Story Mapping



Name: _____ Date: _____

Sequence Circle

Title: _____

